

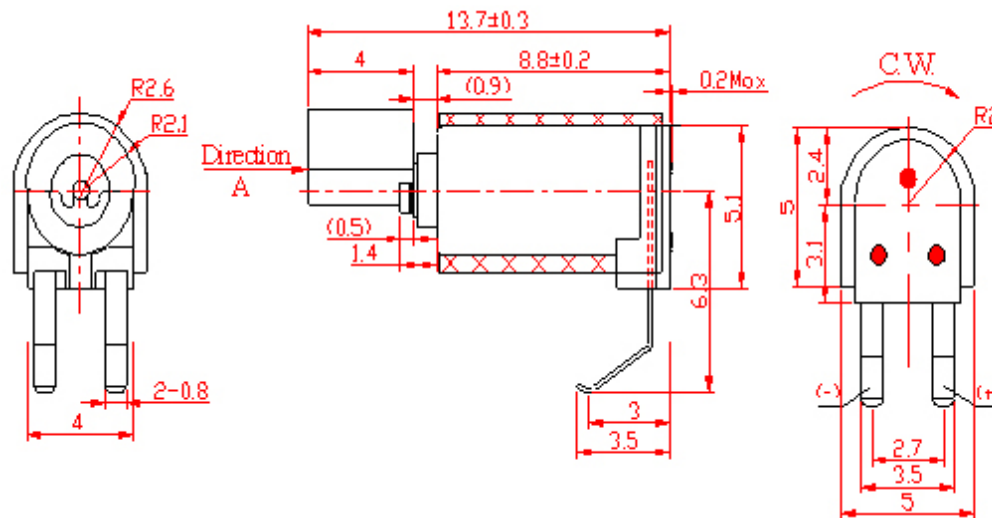


JinLong Machinery
VibratorMotor.com

KOTL

[Home](#) | [Product Info](#) | [About us](#) | [Factory tour](#) | [ISO Certifications](#) | [RoHS Info](#) | [Sample Request](#) | [Contact us](#) | [Email us](#)

Part No. Z4TH7B0340804 (Old Part Number : 4TH7-3480B29)



1. General scope

1-1 The specifications apply to the coreless cylindrical permanent magnetic micro vibration motor

DC model **Z4TH7B0340804**.

2. Operating conditions

Items	Specifications	Condition & Remarks
2-1	Rated voltage	3.0V DC
2-2	Rated load	Counter weight
2-3	Rated speed	11,000 ± 2,500 rpm
2-4	Rotation	C.W. (clockwise)
2-5	Motor position	All positions
2-6	Operating voltage	2.2~3.6V DC
2-7	Operating conditions	-30 ~ 70°C, ordinary humidity
2-8	Storage conditions	-40 ~ 80°C, ordinary humidity

3. Measuring conditions

Items		Specifications	Condition & Remarks
3-1	Temperature	10±35°C	
3-2	Humidity	(45% ~ 75%) RH	
3-3	Motor position	Shaft horizontal	Lock the motor in a test fixture.

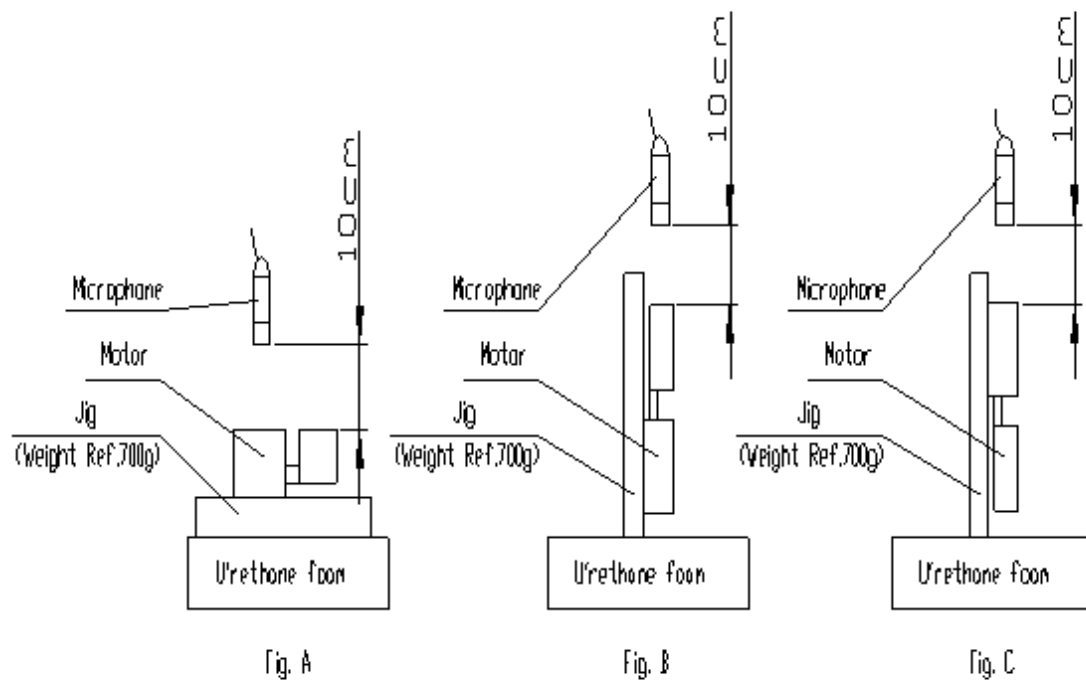
3-4 All data are based on the measuring conditions: Temperature, 20°C; Humidity, 65% RH. If any disagreement occurs, such test conditions are available: Temperature, 5~35°C; Humidity, 45 ~ 85% RH.

4. Mechanical specifications

Items		Specifications	Condition & Remarks
4-1	Configuration	As specified in outline drawing	Outline drawing No: Z4TH7B0340804 .
4-2	Appearance	There shall be no evidence of mechanical damage and shall not have inadequate corrosion, etc.	Visual examination: Inspection carried out on samples.
4-3	Shaft end play	0.05 mm ~ 0.2 mm Max	
4-4	Weight of motor	1.0±0.02g approx.	
4-5	Holding strength of vibration weight	49N (5kgf)	

5. Performance and characteristics

Items		Specifications	Condition & Remarks
5-1	Rated speed	11,000 ± 2,500 rpm	At rated voltage and rated load (vibration weight).
5-2	Rated current	100mA max	
5-3	Stall current	130mA max	At rated voltage.
5-4	Starting voltage	2.0V DC max	At rated load (vibration weight) any position of rotor.
5-5	Insulation resistance	1M• min	At DC 100V between the lead wires and motor body.
5-6	Terminal resistance	29• approx.	At 20°C.
	Mechanical noise	45db (A) max	
<p>Measured at rated voltage and rated load (vibration weight). Background noise: 28db (A) max. @ 10cm. Measuring instruments: B & K. The weight of jig: 700g.</p>			

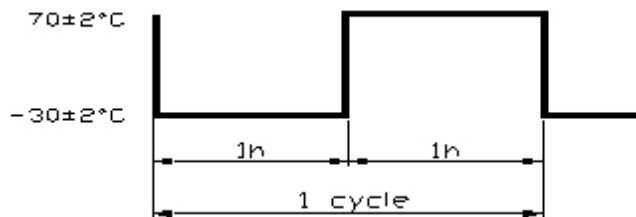


5-7

6. Reliability Test

Items		Standard test conditions	Condition & Remarks												
6-1	Life test		After 2 hours exposure in ordinary Motors shall be approved as specified in item 7-1.												
		<table border="1"> <thead> <tr> <th>Position</th> <th>Voltage</th> <th>Load</th> <th>Temperature</th> <th>Humidity</th> <th>Life</th> </tr> </thead> <tbody> <tr> <td rowspan="2">Horizontal</td> <td rowspan="2">Rated</td> <td rowspan="2">Counter weight</td> <td>20 °C</td> <td>65 %</td> <td>200,000 cycles</td> </tr> <tr> <td>40 °C</td> <td>90 %</td> <td>40,000 cycles</td> </tr> </tbody> </table>		Position	Voltage	Load	Temperature	Humidity	Life	Horizontal	Rated	Counter weight	20 °C	65 %	200,000 cycles
Position	Voltage	Load	Temperature	Humidity	Life										
Horizontal	Rated	Counter weight	20 °C	65 %	200,000 cycles										
			40 °C	90 %	40,000 cycles										
6-2	Low temperature exposure test	Temperature: $-40 \pm 2^{\circ}\text{C}$ Time: 96hrs	After the test motors shall be approved as specified in item 7-2.												
6-3	High temperature exposure test	Temperature: $80 \pm 2^{\circ}\text{C}$ Time: 96hrs													
6-4	High humidity exposure test	Temperature: $40 \pm 2^{\circ}\text{C}$ Humidity: 85~95% RH Exposure time: 96hrs No condensation of moisture													
6-5	Vibration test	Displacement: 3 mm, 100cpm Frequency: 10 to 55 Hz Period: 20 Minutes log sweep (10~55~10 Hz) Direction: x, y, z Time: Each 2 hours	After the test motors shall be approved as specified in item 7-2.												
6-6	Free Fall	Test state: Set the motor to the approximately 100g (include the motor) weight of block drop the motor on the concrete floor. Height: 1.5 meters Direction: $\pm x, \pm y, \pm z$ Number of times: Twice each	After the test motors shall be approved as specified in item 7-2.												

6-7 Heat stock



Circulate Condition: 3 V voltage

2s ON, 1s OFF

Time: 2 Times

After the test motors shall be approved as specified in item 7-2.

7. Requirements

Items		Requirements	
7-1	Table A	1) Rated speed:	Initial data -30% min./ +60% max.
		2) Rated current:	Initial data $\pm 30\%$ max
		3) Insulation resistance:	10 M• min
		4) Starting voltage:	1.5V DC max
		5) Current waveform:	Normal
7-2	Table B	1) Rated speed:	Initial data -30% min./ +60% max.
		2) Rated current:	Initial data $\pm 30\%$ max
		3) Starting voltage:	1.5 V DC max

8. Matters to be paid attention to when using motor

8-1 Lay the motors carefully in transportation to avoid any damage to the motor body or its electric function because of collision.

8-2 Storage temperature: $20 \pm 10^\circ\text{C}$. Do not leave the motors in the environment of high temperature, high humidity and gas that will cause rust and corrosion. Do not store the motors for over 6 months.

8-3 Please do not lock the motor shaft when the electric power is supplied.

8-4 Please do not touch the weights when motor is rotating.