

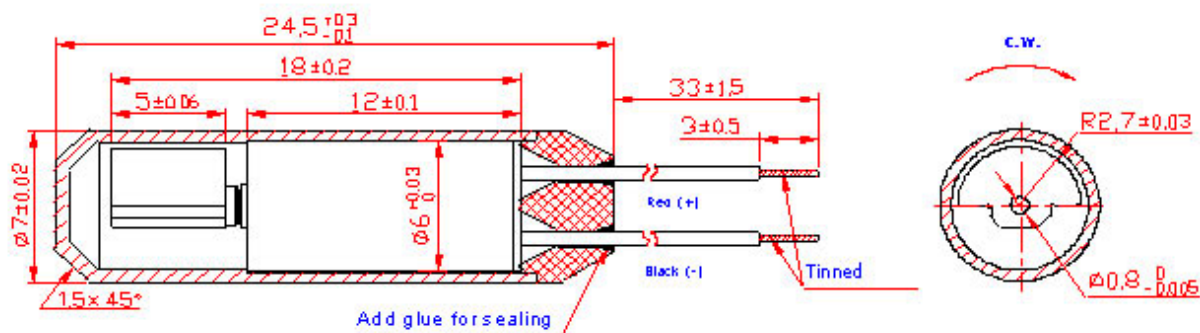


JinLong Machinery
VibratorMotor.com

KOTL

[Home](#) | [Product Info](#) | [About us](#) | [Factory tour](#) | [ISO Certifications](#) | [RoHS Info](#) | [Sample Request](#) | [Contact us](#) | [Email us](#)

Part No. Z6DL2A0765212 (Old Part Number : Q6DL2.2-7621A)



1. General scope

1-1 The specifications apply to the coreless cylindrical permanent magnetic micro vibration motor DC model **Z6DL2A0765212**.

2. Operating conditions

Items	Specifications	Condition & Remarks
2-1 Rated voltage	1.3V DC	
2-2 Rated load	Counterweight	As specified in the outline drawing.
2-3 Direction of Rotation	C.W. (clockwise)	
2-4 Motor position	All positions	
2-5 Operating voltage	0.9 ~ 1.6V DC	
2-6 Operating conditions	-30 ~ 70°C, ordinary humidity	No condensation of moisture.
2-7 Storage conditions	-40 ~ 80°C, ordinary humidity	No condensation of moisture.

3. Measuring conditions

Items		Specifications	Condition & Remarks
3-1	Temperature	20±2°C	
3-2	Humidity	(63 ~ 67%) RH	
3-3	Motor position	Shaft horizontal	Lock the motor in a test fixture.

All data are based on the measuring conditions: Temperature, 20°C and Humidity, 65% RH.

However, the ranges of temperature 5~35°C and humidity 45~85 %RH are to be applicable as long as no problems.

4. Mechanical specifications

Items		Specifications	Condition & Remarks
4-1	Configuration	As specified in outline drawing	Outline drawing No: Z6DL2A0765212 .
4-2	Appearance	There shall be no evidence of mechanical damage and shall not have inadequate corrosion, etc.	Visual examination: Inspection carried out on samples.
4-3	Shaft end play	0.1~0.3mm	
4-4	Holding strength of counterweight	49N (5kgf) Min	

5. Performance and characteristics

Items		Specifications	Condition & Remarks
5-1	Rated speed	10,000±1500rpm	At rated voltage and rated load (vibration weight).
5-2	Rated current	230mA max	
5-3	Stall current	310mA max	At rated voltage.
5-4	Starting voltage	0.7V DC max	At rated load (vibration weight) any position of rotor.
5-5	Insulation resistance	1M• min	At DC 100V between the lead wires and motor body.
5-6	Terminal resistance	3.6• ±20%	At 20°C.

6. Caution and Matters

6-1 Please lay it carefully in transportation to avoid any damage to the unit because of collision.

6-2 Please do not leave it in the environment of high temperature, high humidity or corrosive gas, in case it would cause rust and corrosion to the unit.

6-3 Storage temperature: 20±10°C

7. Declaration on RoHS Compliant

Certain Restricted Hazardous Substances	Maximum value permitted (in ppm or mg/kg)	Supplementary Parts					
		Metal Cup JA521	Plastic Cover FG163	Bolt MD002	Clamp JC122	Solder Tin	Nickel Plating
Lead (Pb.) and its compound	≤1000ppm *≤0.35%, steel alloy *≤0.4%, aluminum alloy *≤4%, copper/brass alloy	132ppm	5ppm	13	N.D.	232ppm	15ppm
Cadmium (Cd.) and its compound	≤100ppm	4	N.D.	N.D.	N.D.	N.D.	N.D.
Hexavalent Chromium (Cr ₆₊) and its compound	≤1000ppm	N.D.	N.D.	N.D.	N.D.	N.D.	N.D.
Mercury (Hg.) and its compound	≤1000ppm	N.D.	N.D.	N.D.	N.D.	N.D.	N.D.
PBBs (Polybrominated Biphenyls)	≤1000ppm	N.D.	N.D.	N.D.	N.D.	N.D.	N.D.
PBDEs (Polybrominated Diphenyl Ethers)	≤1000ppm	N.D.	N.D.	N.D.	N.D.	N.D.	N.D.

Notes:

"N.D." - Not Detected by SGS institutes.